

FRONT VIEW

SIDE VIEW

- Reference IS/IEC Standard as follows :
- 1 - FLAMEPROOF (Ex d) PROTECTION - IIA/IIb & IIC, IS/IEC 60079-1 (2014)
 - TEMPERATURE CLASS - T6
 - 2 - INGRESS (IP) PROTECTION - IP-66, IS/IEC 60529 (2001). (Reaffirmed 2014)
- Standard Specification :
- 1 - MATERIAL - CAST ALUMINIUM ALLOY
 - 2 - FINISH - INSIDE & OUTSIDE LIGHT GREY EPOXY POWDER COATING SHADE No. 631 AS PER IS-5
 - 3 - EARTHING - 1 No. INSIDE & 2 Nos. OUTSIDE M6 SIZE S.S./BRASS SCREWS WITH 2 Nos. PLAIN WASHER
 - 4 - HARDWARE - STAINLESS STEEL
 - 5 - GASKET - 'O' RING NEOPRENE RUBBER GASKET
 - 6 - MOUNTING ARRGT. - AS SHOWN IN DRG.

- Material / Components Specification :
- 1 - S.S. NAME CUM WARNING PLATE (WITH DESCRIPTION TITLE, CIMFR, PESO, SR. NO., GAS GROUP, RATING, BIS MARKING, WARNING STATUS, etc...)
 - 2 - INTERNAL SIZE OF ENCLOSURE (BODY+COVER) - 450 x 450 x 160mm
 - 3 - M.S. PLATE WITH WHITE EPOXY POWDER COATING WILL BE PROVIDED OF SIZE : $\phi 400 \times 2\text{mm}$ Thk. (ENCLOSURE OPENING $\phi 420\text{mm}$)
 - 4 - TERMINALS - CLIP-ON / BUSBAR TYPE TERMINALS OF 'CONNECTWELL/ ELMEX' MAKE (DETAIL TO BE SPECIFIED BY CUSTOMER)
 - 5 - CABLE GLAND - (Ex d) DOUBLE COMPRESSION TYPE CABLE GLAND OF 'SUDHIR' MAKE
 - 6 - STOPPING PLUG - (Ex d) STOPPING PLUG OF 'SUDHIR' MAKE

Fitting OPTIONS :

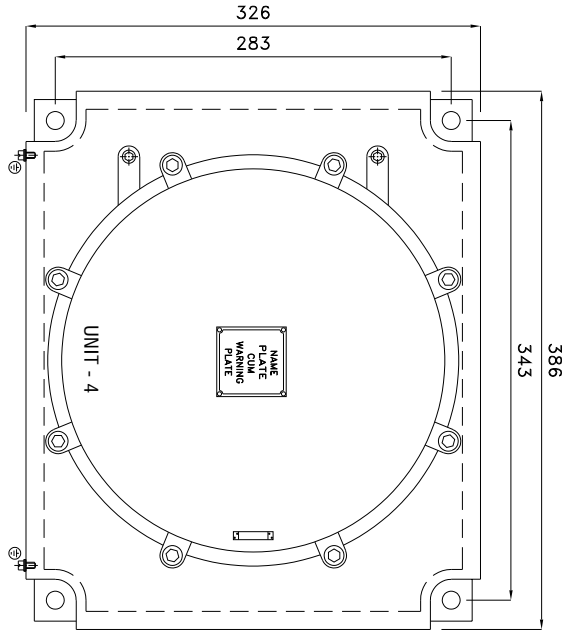
- 1) MATERIAL CONSTRUCTION : STAINLESS STEEL
- 2) VOLTAGE : 415V AC
- 3) CABLE GLAND & PLUG : BRASS/S.S./ALUMINIUM
- 4) PAINT SHADE : 632/355/7031/7032, etc... (As per Standard)
- 5) CANOPY : M.S. / G.I. / FRP
- 6) INTERNAL COMPONENTS : CU./AL. BUSBAR
- 7) AMP. RATING : UPTO 400 Amp. (MAX.)
- 8) CABLE ENTRIES : LEFT / RIGHT / TOP / BOTTOM SIDE
- 9) ENCLOSURE EXTERNAL SIZE : 480(W) x 480(H) x 190/220/270/320mm
- 10) ENCLOSURE INTERNAL SIZE : 450(W) x 450(H) x 160/190/240/290mm

NOTE :
 COMPONENT LAYOUT IS TENTATIVE RELOCATION OF PARTS & COMPONENTS IS POSSIBLE AT THE TIME OF ACTUAL MANUFACTURING.
 OVERALL DIMENSIONS ARE $\pm 10\text{mm}$

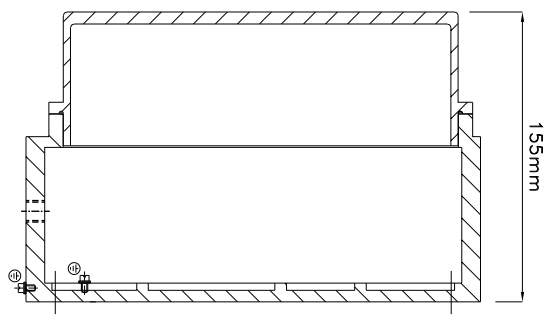
REV.	DATE	DESCRIPTION	DRN.	CHD.	APPD.	SCALE

CAT. No.	RCP / 30 / 2022	DRN.		CHD.		APPD.		SCALE	1 : 1
MODEL No.:	RCP / 2022 / B1	DRN.		CHD.		APPD.		SHEET	1 OF 1
TITLE : FLAMEPROOF - WEATHERPROOF ENCLOSURE FOR JUNCTION BOX									
DR. CERT. No.	IN / CIMFR / TR22 / R / H549	DR. DATE	30 / 03 / 2022	PESO No. :	PS41563 / 1	BIS LICENCE No. :	CM / L - 0003331365		
SUDHIR SWITCHGEARS PVT. LTD. 130, MULBARI SAMACHAR MARG, MULBARI - 400 023									

THIS DRAWING IS PROPERTY OF "SUDHIR SWITCHGEARS PVT. LTD." AND MUST BE RETURNED ON REQUEST IF IT IS SUBMITTED AS CONFIDENTIAL INFORMATION IN CONNECTION WITH ENQUIRY, TENDER, ORDER, OR CONTRACTS IT IS NOT TO BE USED FOR ANY OTHER PURPOSE OR ORDER NOR MAY IT RE-COPIED OR LENT WITHOUT OUR AUTHORITY IN WRITING.



FRONT VIEW



SIDE VIEW

- Reference IS/IEC Standard as follows :
- 1 - FLAMEPROOF (Ex d) PROTECTION - IIA/IIb & IIC, IS/IEC 60079-1 (2014)
 - TEMPERATURE CLASS - T6
 - 2 - INGRESS (IP) PROTECTION - IP-66, IS/IEC 60529 (2001). (Reaffirmed 2014)
- Standard Specification :
- 1 - MATERIAL - CAST ALUMINIUM ALLOY
 - 2 - FINISH - INSIDE & OUTSIDE LIGHT GREY EPOXY POWDER COATING SHADE No. 631 AS PER IS-5
 - 3 - EARTHING - 1 No. INSIDE & 2 Nos. OUTSIDE M6 SIZE S.S./BRASS SCREWS WITH 2 Nos. PLAIN WASHER
 - 4 - HARDWARE - STAINLESS STEEL
 - 5 - GASKET - 'O' RING NEOPRENE RUBBER GASKET
 - 6 - MOUNTING ARRGT. - AS SHOWN IN DRG.

- Material / Components Specification :
- 1 - S.S. NAME CUM WARNING PLATE (WITH DESCRIPTION TITLE, CIMFR, PESO, SR. NO., GAS GROUP, RATING, BIS MARKING, WARNING STATUS, etc...)
 - 2 - INTERNAL SIZE OF ENCLOSURE (BODY+COVER) - 360 x 300 x 125mm
 - 3 - M.S. PLATE WITH WHITE EPOXY POWDER COATING WILL BE PROVIDED OF SIZE : $\phi 270 \times 2\text{mm}$ Thk. (ENCLOSURE OPENING $\phi 290\text{mm}$)
 - 4 - TERMINALS - CLIP-ON / BUSBAR TYPE TERMINALS OF 'CONNECTWELL/ELMEX' MAKE (DETAIL TO BE SPECIFIED BY CUSTOMER)
 - 5 - CABLE GLAND - (Ex d) DOUBLE COMPRESSION TYPE CABLE GLAND OF 'SUDHIR' MAKE
 - 6 - STOPPING PLUG - (Ex d) STOPPING PLUG OF 'SUDHIR' MAKE

Fitting OPTIONS :

- 1) MATERIAL CONSTRUCTION : STAINLESS STEEL
- 2) VOLTAGE : 415V AC
- 3) CABLE GLAND & PLUG : BRASS/S.S./ALUMINIUM
- 4) PAINT SHADE : 632/355/7031/7032, etc... (As per Standard)
- 5) CANOPY : M.S. / G.I. / FRP
- 6) INTERNAL COMPONENTS : CU./AL. BUSBAR
- 7) AMP. RATING : UP TO 200 Amp. (MAX.)
- 8) CABLE ENTRIES : LEFT / RIGHT / TOP / BOTTOM SIDE
- 9) ENCLOSURE EXTERNAL SIZE : 386(W) x 326(H) x 155/195/245/295mm
- 10) ENCLOSURE INTERNAL SIZE : 360(W) x 300(H) x 125/165/215/265mm

NOTE :
 COMPONENT LAYOUT IS TENTATIVE RELOCATION OF PARTS & COMPONENTS IS POSSIBLE AT THE TIME OF ACTUAL MANUFACTURING.
 OVERALL DIMENSIONS ARE $\pm 10\text{mm}$

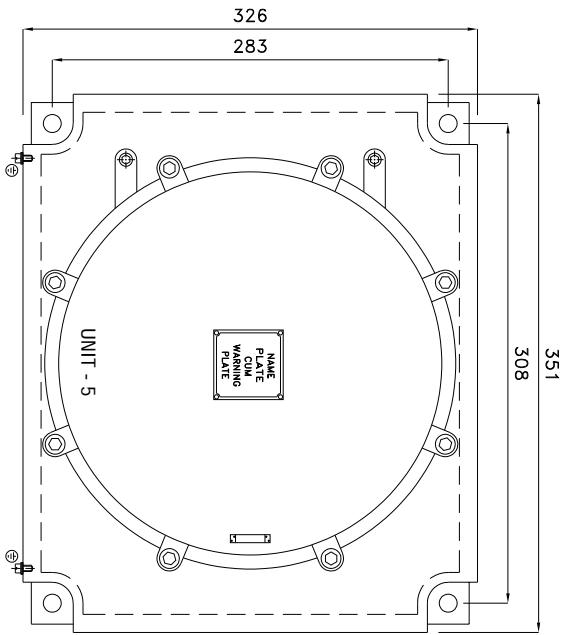
<p>NOTE : COMPONENT LAYOUT IS TENTATIVE RELOCATION OF PARTS & COMPONENTS IS POSSIBLE AT THE TIME OF ACTUAL MANUFACTURING. OVERALL DIMENSIONS ARE $\pm 10\text{mm}$</p>		<p>CAT. No. RCP/2022/B4</p>	<p>MODEL No. RCP/2022/B4</p>	<p>DRG. profile</p>	<p>CHKD. JASHWANTH</p>	<p>APPR. 1 OF 1</p>	<p>SHEET 1 OF 1</p>	<p>SCALE N. T. S. REV.-0</p>	<p>DATE 30/03/2022</p>	<p>DESCRIPTION</p>	<p>DRN.</p>	<p>CHNO.</p>	<p>APPO.</p>		
<p>REVISIONS</p>										<p>REV. 1</p>	<p>DATE</p>	<p>DESCRIPTION</p>	<p>DRN.</p>	<p>CHNO.</p>	<p>APPO.</p>

THIS DRAWING IS PROPERTY OF "SUDHIR SWITCHGEARS PVT. LTD." AND MUST BE RETURNED ON REQUEST IF IT IS SUBMITTED AS CONFIDENTIAL INFORMATION IN CONNECTION WITH ENQUIRY, TENDER, ORDER, OR CONTRACTS IT IS NOT TO BE USED FOR ANY OTHER PURPOSE OR ORDER NOR MAY IT RE-COPIED OR LENT WITHOUT OUR AUTHORITY IN WRITING.

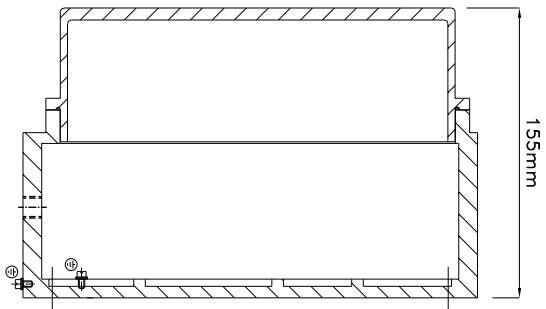
SUDHIR SWITCHGEARS PVT. LTD.
 130, MULBARI SAMACHAR MARG, MULBARI - 400 023

TITLE : **FLAMEPROOF-WEATHERPROOF ENCLOSURE FOR JUNCTION BOX**

CHKD. CERT. No. : IN/CIMFR/TR22/R/H549
 Dt. 30/03/2022
 PESO No. : P541563/1
 Dt. 23/07/2022
 BIS LICENCE No. : CM/L-0003331365



FRONT VIEW



SIDE VIEW

- Reference IS/IEC Standard as follows :
- 1 - FLAMEPROOF (Ex d) PROTECTION - IIA/IIb & IIC, IS/IEC 60079-1 (2014)
 - TEMPERATURE CLASS - T6
 - 2 - INGRESS (IP) PROTECTION - IP-66, IS/IEC 60529 (2001). (Reaffirmed 2014)

Standard Specification :

- 1 - MATERIAL - CAST ALUMINIUM ALLOY
- 2 - FINISH - INSIDE & OUTSIDE LIGHT GREY EPOXY POWDER COATING SHADE No. 631 AS PER IS-5
- 3 - EARTHING - 1 No. INSIDE & 2 Nos. OUTSIDE M6 SIZE S.S./BRASS SCREWS WITH 2 Nos. PLAIN WASHER
- 4 - HARDWARE - STAINLESS STEEL
- 5 - GASKET - 'O' RING NEOPRENE RUBBER GASKET
- 6 - MOUNTING ARRGT. - AS SHOWN IN DRG.

Material / Components Specification :

- 1 - S.S. NAME CUM WARNING PLATE (WITH DESCRIPTION TITLE, CIMFR, PESO, SR. NO., GAS GROUP, RATING, BIS MARKING, WARNING STATUS, etc...)
- 2 - INTERNAL SIZE OF ENCLOSURE (BODY+COVER) - 326 x 300 x 125mm
- 3 - M.S. PLATE WITH WHITE EPOXY POWDER COATING WILL BE PROVIDED OF SIZE : $\phi 270 \times 2\text{mm}$ Thk. (ENCLOSURE OPENING $\phi 290\text{mm}$)
- 4 - TERMINALS - CLIP-ON / BUSBAR TYPE TERMINALS OF 'CONNECTWELL/ ELMEX' MAKE (DETAIL TO BE SPECIFIED BY CUSTOMER)
- 5 - CABLE GLAND - (Ex d) DOUBLE COMPRESSION TYPE CABLE GLAND OF 'SUDHIR' MAKE
- 6 - STOPPING PLUG - (Ex d) STOPPING PLUG OF 'SUDHIR' MAKE

Fitting OPTIONS :

- 1) MATERIAL CONSTRUCTION : STAINLESS STEEL
- 2) VOLTAGE : 415V AC
- 3) CABLE GLAND & PLUG : BRASS/S.S./ALUMINIUM
- 4) PAINT SHADE : 632/355/7031/7032, etc... (As per Standard)
- 5) CANOPY : M.S. / G.I. / FRP
- 6) INTERNAL COMPONENTS : CU./AL. BUSBAR
- 7) AMP. RATING : UP TO 200 Amp. (MAX.)
- 8) CABLE ENTRIES : LEFT / RIGHT / TOP / BOTTOM SIDE
- 9) ENCLOSURE EXTERNAL SIZE : 351(W) x 326(H) x 155/195/245/295mm
- 10) ENCLOSURE INTERNAL SIZE : 326(W) x 300(H) x 125/165/215/265mm

NOTE :

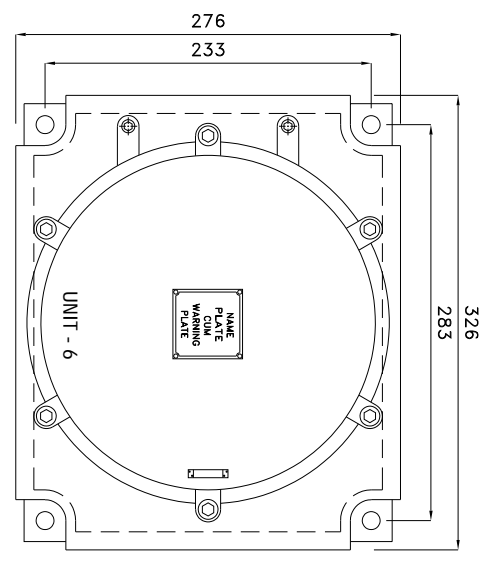
COMPONENT LAYOUT IS TENTATIVE RELOCATION OF PARTS & COMPONENTS IS POSSIBLE AT THE TIME OF ACTUAL MANUFACTURING.

OVERALL DIMENSIONS ARE $\pm 10\text{mm}$

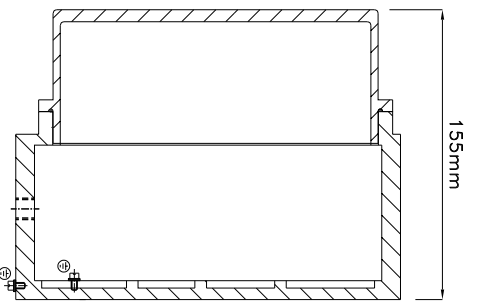
REV.	DATE	DESCRIPTION	DRN.	CHNO.	APPO.	SCALE	DRN.	CHNO.	APPO.	SCALE
△
△
△

CAT. No.	RCP/20/2022
MODEL No.	RCP/2022/BS
DRN.	profile
CHNO.	JASHAKH
APPO.	.
SHEET	1 OF 1
N. T. S.	REV.-0

130, MULBARI SAMACHAR MARG, MULBARI - 400 023	
TITLE :	FLAMEPROOF-WEATHERPROOF ENCLOSURE FOR JUNCTION BOX
DR. CERT. No.	IN/CIMFR/TR22/R/H549
PESO No. :	P541563/1
BIS LICENCE No. :	CM/L-0003331365
Dt.	30/03/2022
Dt.	23/07/2022



FRONT VIEW



SIDE VIEW

- Reference IS/IEC Standard as follows :
- 1 - FLAMEPROOF (Ex d) PROTECTION - IIA/IIb & IIC, IS/IEC 60079-1 (2014)
 - TEMPERATURE CLASS - T6
 - 2 - INGRESS (IP) PROTECTION - IP-66, IS/IEC 60529 (2001). (Reaffirmed 2014)

Standard Specification :

- 1 - MATERIAL - CAST ALUMINIUM ALLOY
- 2 - FINISH - INSIDE & OUTSIDE LIGHT GREY EPOXY POWDER COATING SHADE No. 631 AS PER IS-5
- 3 - EARTHING - 1 No. INSIDE & 2 Nos. OUTSIDE M6 SIZE S.S./BRASS SCREWS WITH 2 Nos. PLAIN WASHER
- 4 - HARDWARE - STAINLESS STEEL
- 5 - GASKET - 'O' RING NEOPRENE RUBBER GASKET
- 6 - MOUNTING ARRGT. - AS SHOWN IN DRG.

Material / Components Specification :

- 1 - S.S. NAME CUM WARNING PLATE (WITH DESCRIPTION TITLE, CIMFR, PESO, SR. NO., GAS GROUP, RATING, BIS MARKING, WARNING STATUS, etc...)
- 2 - INTERNAL SIZE OF ENCLOSURE (BODY+COVER) - 300 x 250 x 125mm
- 3 - M.S. PLATE WITH WHITE EPOXY POWDER COATING WILL BE PROVIDED OF SIZE : $\phi 215 \times 2\text{mm}$ Thk. (ENCLOSURE OPENING $\phi 245\text{mm}$)
- 4 - TERMINALS - CLIP-ON / BUSBAR TYPE TERMINALS OF 'CONNECTWELL/ ELMEX' MAKE (DETAIL TO BE SPECIFIED BY CUSTOMER)
- 5 - CABLE GLAND - (Ex d) DOUBLE COMPRESSION TYPE CABLE GLAND OF 'SUDHIR' MAKE
- 6 - STOPPING PLUG - (Ex d) STOPPING PLUG OF 'SUDHIR' MAKE

Fitting OPTIONS :

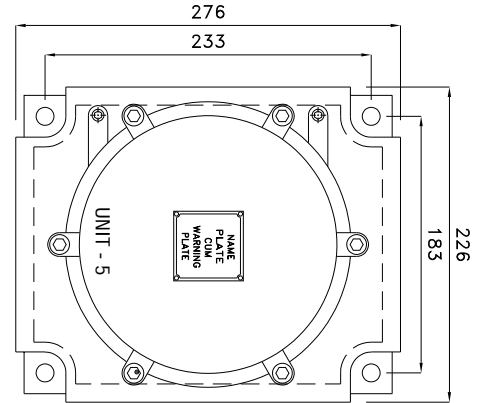
- 1) MATERIAL CONSTRUCTION : STAINLESS STEEL
- 2) VOLTAGE : 415V AC
- 3) CABLE GLAND & PLUG : BRASS/S.S./ALUMINIUM
- 4) PAINT SHADE : 632/355/7031/7032, etc... (As per Standard)
- 5) CANOPY : M.S. / G.I. / FRP
- 6) INTERNAL COMPONENTS : CU./AL. BUSBAR
- 7) AMP. RATING : UP TO 100 Amp. (MAX.)
- 8) CABLE ENTRIES : LEFT / RIGHT / TOP / BOTTOM SIDE
- 9) ENCLOSURE EXTERNAL SIZE : 326(W) x 276(H) x 155/195/245/295mm
- 10) ENCLOSURE INTERNAL SIZE : 300(W) x 250(H) x 125/165/215/265mm

NOTE :

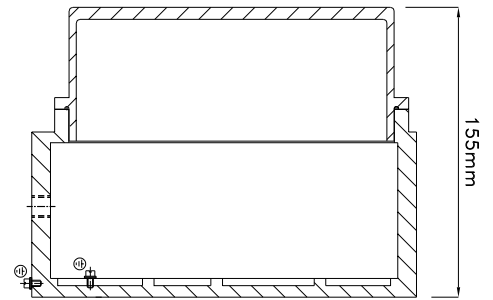
COMPONENT LAYOUT IS TENTATIVE RELOCATION OF PARTS & COMPONENTS IS POSSIBLE AT THE TIME OF ACTUAL MANUFACTURING.
OVERALL DIMENSIONS ARE $\pm 10\text{mm}$

REV.		DATE	DESCRIPTION	DRN.	CHNO.	APPO.	SCALE	CAT. No. RCP/2022/B6	Model No. RCP/2022/B6	DRN. profile	CHKD. JASHAKH	APPO.	SHEET 1 OF 1	N. T. S.	REV.- 0
<p>SUDHIR SWITCHGEARS PVT. LTD. 130, MULBEN SAMACHER WARE, MULBEN - 400 023</p> <p>TITLE : FLAMEPROOF-WEATHERPROOF ENCLOSURE FOR JUNCTION BOX</p> <p>CHKD. CERT. No. : IN/CIMFR/TR22/R/H549 PESO No. : P541563/1 BIS LICENCE No. : CM/L-0003331365</p> <p>Dt. 30/03/2022 Dt. 23/07/2022</p>															

THIS DRAWING IS PROPERTY OF "SUDHIR SWITCHGEARS PVT. LTD." AND MUST BE RETURNED ON REQUEST IF IT IS SUBMITTED AS CONFIDENTIAL INFORMATION IN CONNECTION WITH ENQUIRY, TENDER, ORDER, OR CONTRACTS IT IS NOT TO BE USED FOR ANY OTHER PURPOSE OR ORDER NOR MAY IT RE-COPIED OR LENT WITHOUT OUR AUTHORITY IN WRITING.



FRONT VIEW



SIDE VIEW

- Reference IS/IEC Standard as follows :
- 1 - FLAMEPROOF (Ex d) PROTECTION - IIA/IIb & IIC, IS/IEC 60079-1 (2014)
 - TEMPERATURE CLASS - T6
 - 2 - INGRESS (IP) PROTECTION - IP-66, IS/IEC 60529 (2001). (Reaffirmed 2014)

Standard Specification :

- 1 - MATERIAL - CAST ALUMINIUM ALLOY
- 2 - FINISH - INSIDE & OUTSIDE LIGHT GREY EPOXY POWDER COATING SHADE No. 631 AS PER IS-5
- 3 - EARTHING - 1 No. INSIDE & 2 Nos. OUTSIDE M6 SIZE S.S./BRASS SCREWS WITH 2 Nos. PLAIN WASHER
- 4 - HARDWARE - STAINLESS STEEL
- 5 - GASKET - 'O' RING NEOPRENE RUBBER GASKET
- 6 - MOUNTING ARRGT. - AS SHOWN IN DRG.

Material / Components Specification :

- 1 - S.S. NAME CUM WARNING PLATE (WITH DESCRIPTION TITLE, CIMFR, PESO, SR. NO., GAS GROUP, RATING, BIS MARKING, WARNING STATUS, etc...)
- 2 - INTERNAL SIZE OF ENCLOSURE (BODY+COVER) - 250 x 200 x 125mm
- 3 - M.S. PLATE WITH WHITE EPOXY POWDER COATING WILL BE PROVIDED OF SIZE : $\phi 180 \times 2\text{mm}$ Thk. (ENCLOSURE OPENING $\phi 185\text{mm}$)
- 4 - TERMINALS - CLIP-ON / BUSBAR TYPE TERMINALS OF 'CONNECTWELL/ ELMEX' MAKE (DETAIL TO BE SPECIFIED BY CUSTOMER)
- 5 - CABLE GLAND - (Ex d) DOUBLE COMPRESSION TYPE CABLE GLAND OF 'SUDHIR' MAKE
- 6 - STOPPING PLUG - (Ex d) STOPPING PLUG OF 'SUDHIR' MAKE

Fitting OPTIONS :

- 1) MATERIAL CONSTRUCTION : STAINLESS STEEL
- 2) VOLTAGE : 415V AC
- 3) CABLE GLAND & PLUG : BRASS/S.S./ALUMINIUM
- 4) PAINT SHADE : 632/356/7031/7032, etc... (As per Standard)
- 5) CANOPY : M.S. / G.I. / FRP
- 6) INTERNAL COMPONENTS : CU./AL. BUSBAR
- 7) AMP. RATING : UP TO 100 Amp. (MAX.)
- 8) CABLE ENTRIES : LEFT / RIGHT / TOP / BOTTOM SIDE
- 9) ENCLOSURE EXTERNAL SIZE : 276(W) x 226(H) x 155/195/245/295mm
- 10) ENCLOSURE INTERNAL SIZE : 250(W) x 200(H) x 125/165/215/265mm

NOTE :

COMPONENT LAYOUT IS TENTATIVE RELOCATION OF PARTS & COMPONENTS IS POSSIBLE AT THE TIME OF ACTUAL MANUFACTURING.

OVERALL DIMENSIONS ARE $\pm 10\text{mm}$

REV.	DATE	DESCRIPTION	DRN.	CHD.	APPD.	SCALE	DRN. No.	CHD. No.	APPD. No.	REV.
△										
△										
△										

<p>SUDHIR SWITCHGEARS PVT. LTD. 130, MULBARI SAMACHAR MARG, MULBARI - 400 023</p>		<p>DRN. No. : RCP/2022/B7</p>
<p>TITLE : FLAMEPROOF-WEATHERPROOF ENCLOSURE FOR JUNCTION BOX</p>		<p>CHD. No. : P541563/1</p>
<p>DRN. No. : IN/CIMFR/TR22/R/H549</p>		<p>APPD. No. : CM/L-0003331365</p>
<p>Dt. : 30/03/2022</p>		<p>Dt. : 23/07/2022</p>